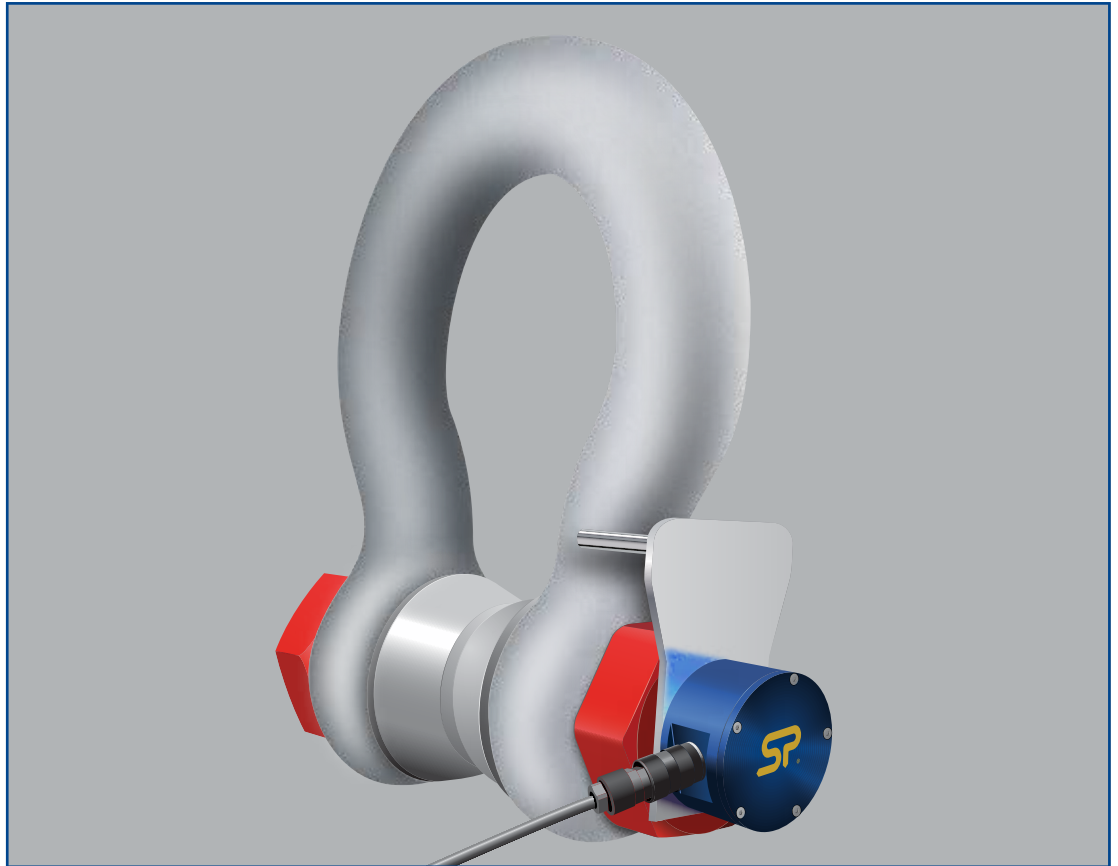




# loadshackle



Available from stock in capacities 3.25t to 120t, and available up to 1,550t, the Loadshackle is manufactured from Crosby's industry leading 2130 Carbon and 2140 Alloy Bolt Type Anchor Shackles (3.25te - 120te) and the GN H10 Alloy Bolt Type Anchor Shackle (200te on up). The Loadshackle offers reduced overall weight and headroom providing a great fit for low headroom applications.

Utilising the same advanced microprocessor based electronics as all Straightpoint products, our cabled Loadshackle benefits from high sampling rates, extreme resistance to industrial level noise and unprecedented stability. Our huge range of tooling allows us to calibrate in shackle for extra accuracy unlike many other load cell manufacturers. Straightpoint cabled loadshackles are also environmentally sealed to IP67 and, as an option, sealed for permanent submersion for sub-sea use.

The cabled loadshackle range can be used with digital displays including the Straightpoint Handheld plus, PLCs, data acquisition systems (DAQ), etc. and configured with a vast array of output formats to include mV/V, RS-422, RS-485, utilising the ASCII, MODBUS TRU and CAN-BUS protocols or supplied with integral amplifier allowing analogue outputs such as 4-20mA, 0-10v, 0-5v etc.

Whether used in heavy lifting, mooring anchor placement or sub-sea applications, Straightpoint's cabled loadshackle offers robust construction, advanced electronics, industry leading resolution and accuracy all at a cost-effective, affordable price.

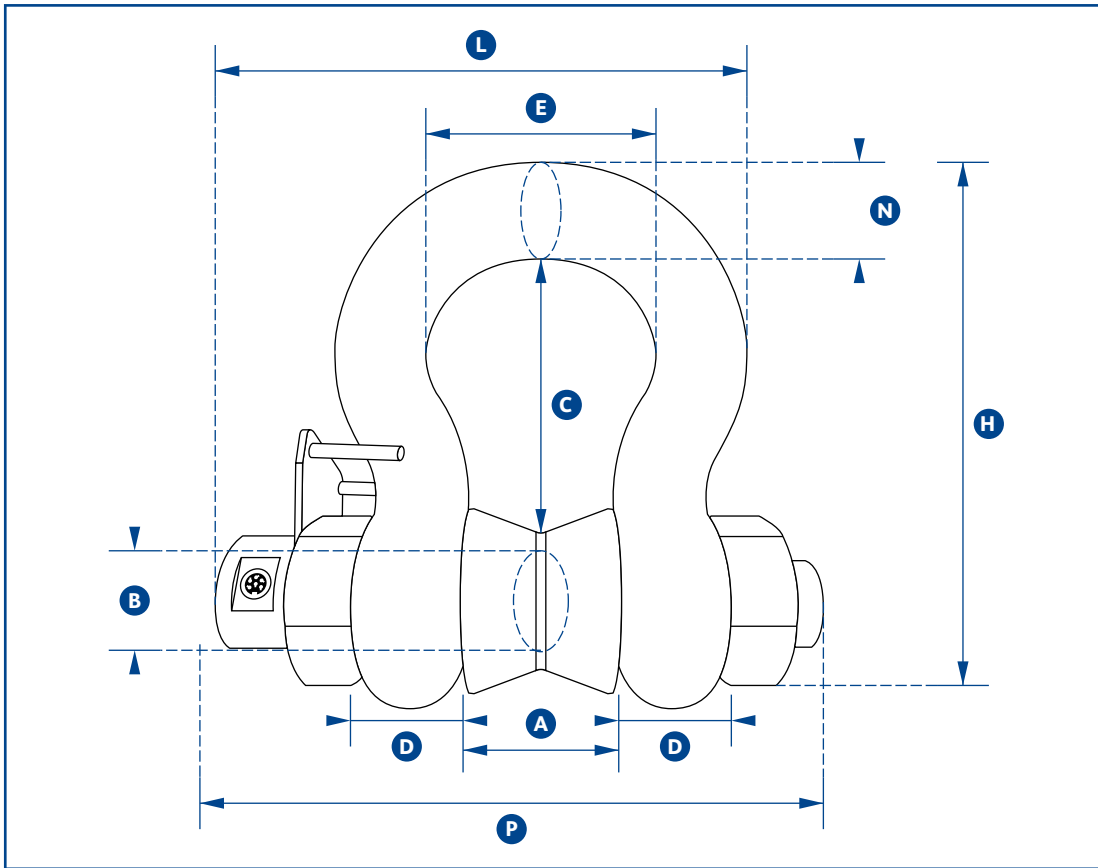


Requires connection to our Handheld plus (HHP), our Desktop Controller data logging software (DCP10M) or our External Amplifier range (SA-3420) that can be configured to provide outputs such as 4-20mA, 0-10v, 0-5v for PLC or data logger integration.

## Features and benefits:

- Robust construction
- Compact size and low headroom
- High accuracy
- Every unit proof tested
- Lightweight
- Audible overload alarm
- Unrivalled resolution
- Tare
- Environmentally sealed
- Peak hold
- Advanced options available
- Design validated by F.E.A.

## metric specifications



# loadshackle

Part Number	SLB3.25T	SLB6.5T	SLB12T	SLB25T	SLB55T	SLB85T	SLB120T	SLB200T	SLB300T	SLB400T
Capacity	3.25te	6.5te	12te	25te	55te	85te	120te	200te	300te	400te
Resolution	0.005te	0.005te	0.01te	0.02te	0.05te	0.05te	0.1te	0.2te	0.5te	0.5te
Weight	2.8kg	3.2kg	8kg	18kg	25kg	45kg	85kg	254kg	374kg	614kg
Safety Factor	5:1 when used with load bobbin									
Operating Temp	-10°C to +50°C									
Accuracy	±1%									
Protection	IP67 std or subsea as POA option									
Dimension A	26.9	36.6	51.5	73	82.5	105	127	180	205	230
Dimension B	19.1	25.4	35.1	51	57	70	82.5	125	150	175
Dimension C	60.5	84	119	178	197	267	330	334	398	440
Dimension D	16	22.4	31.8	44.5	51	66.5	76	120	130	165
Dimension E	42.9	58	82.5	127	164	184	200	290	305	325
Dimension H	106	148	210	313	348	453	546	810	950	1100
Dimension L	116	142	180	265	290	352	392	580	615	705
Dimension N	17.5	24.6	35.1	57	61	79	92	120	130	165
Dimension P	103	133	178	243	277	357	432	570	620	715