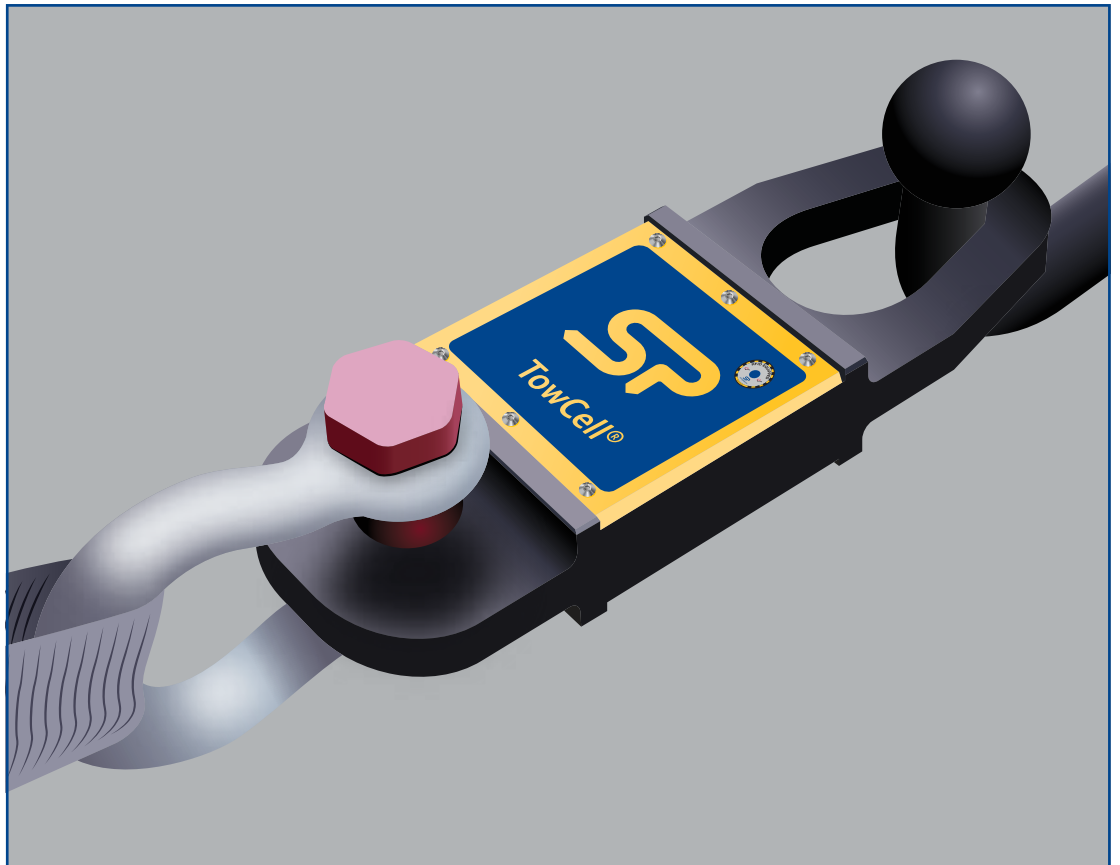




# towcell®



Straightpoint has developed a 25kN, wireless load cell specifically engineered for the emergency services, salvage and 4 x 4 industries. The Towcell® allows for increased safety and the avoidance of costly overloads by providing real-time monitoring of tensile towing forces during recovery, clearance and salvage efforts. The Towcell® is rugged, lightweight, compact and can be installed, with ease, onto any towbar, whether it's a standard 52mm or 2" ball or pin assembly and is ready to use in seconds.

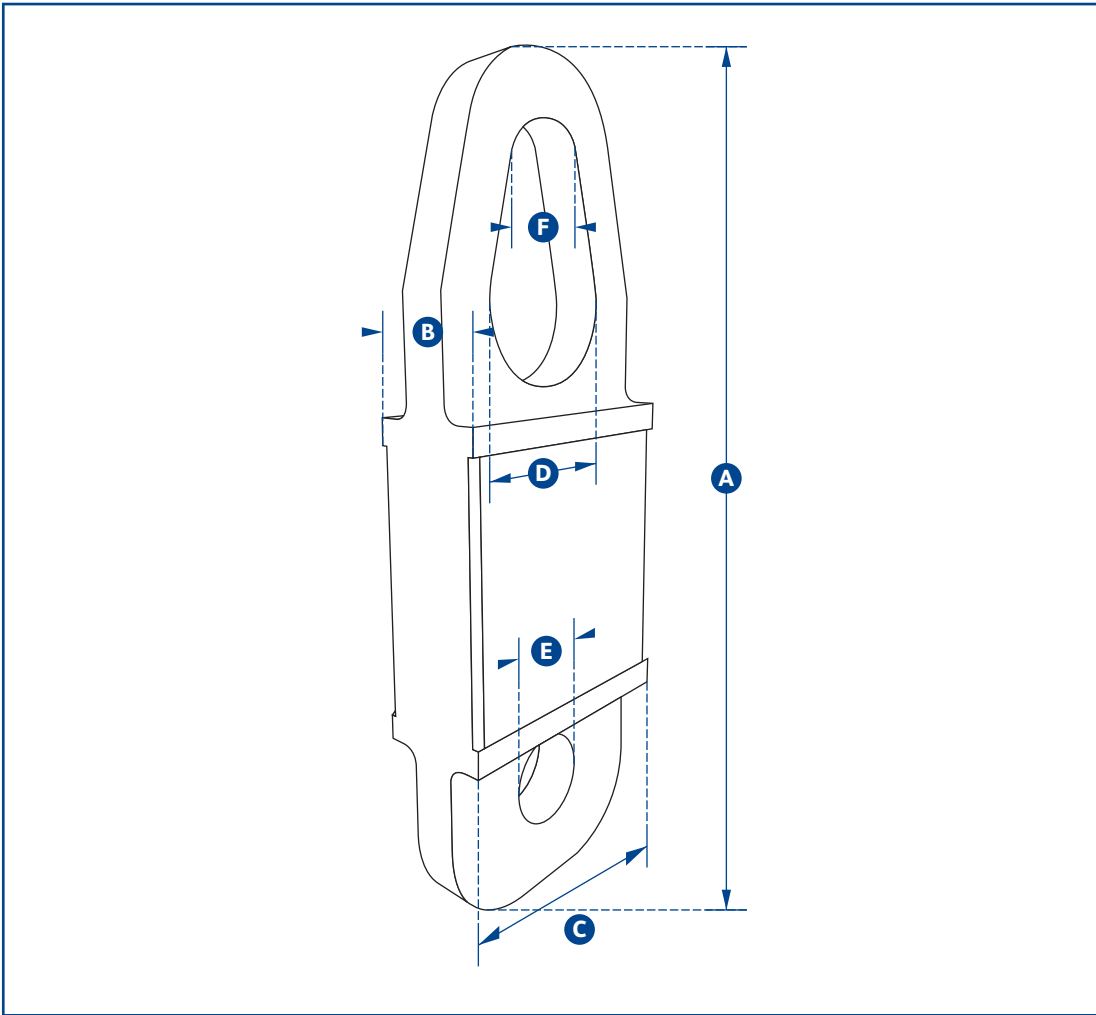
Modelled after our best-selling Radiolink plus, the Towcell® is constructed of high quality aircraft grade aluminium, featuring an advanced internal design structure providing the product with an unrivalled strength to weight ratio, and allowing for the use of a separate internal sealed enclosure. This internal sealed enclosure provides the internal electronic components with IP67/NEMA 6 waterproof environmental protection even with the battery cover plate missing. Easily sourced AA alkaline batteries offer massive battery life of 1200 hours, and the Towcell® utilises an unbreakable internal antennae.

Towcell® loads can be displayed on our rugged and versatile SW-HHP handheld display, or viewed and simultaneously data logged with a Windows tablet via our SW-MWLC software package.

## Features and benefits:

- Unique design to fit any standard 2" tow-hitch
- Lightweight
- Audible overload alarm
- Unmatched battery life
- Waterproof IP67/NEMA6
- Internal antennae
- Compact size
- Proprietary 2.4 GHz wireless communication

## metric specifications



**towcell®**

Global Specifications Part Number	Towcell
Capacity	25kN
Resolution	0.01kN
Weight	1.4kg / 3lbs
Safety Factor	5:1
Battery Type	4 x AA
Battery Life	1200hrs continuous
Operating Temp	-10°C to +50°C / 14°F to 122°F
Accuracy	± 0.5 % of applied load
Frequency	2.4GHz
Range	100 metres / 330 feet
Data Rate	50Hz
Protection	IP67 / NEMA6
Dimension A	300mm / 11.81"
Dimension B	43mm / 1.70"
Dimension C	101mm / 4.00"
Dimension ØD	51mm / 2.00"
Dimension ØE	27mm / 1.06"
Dimension ØF	31mm / 1.22"